

Low Voltage Cut-outs
J Type Vertical MSDB



ENGINEERING BRILLIANT SOLUTIONS



Lucy Switchgear J Type Multi Service Distribution Boards are designed and manufactured in compliance with BSEN60439-1 and Draft ENA Technical Specification, suitable for 230/400V, 50Hz, 4 wire, T-N-C (Combined Neutral Earth) or T-N-S (Separate Neutral Earth) Electrical Distribution Networks.

Features & Benefits

- Enclosure fabricated from 1.2mm Zinc coated sheet steel of a preformed and riveted construction.
- Removable Interlocking Double Door configuration to provide secure access to incoming and outgoing electrical supplies.
- All steel components are prepared using phosphate resin pre-treatment process and protected with polyester stove enamelled textured paint finished in Admiralty Grey to BS 381C shade no. 632.
- 630A nominally rated TPN&E copper bus bars, electro tin plated.
- Incoming 92mm J Type fused supply up to 500A.
- Will accept solid aluminium or stranded copper Waveform or Single Wire Armoured Cables up to 300mm².

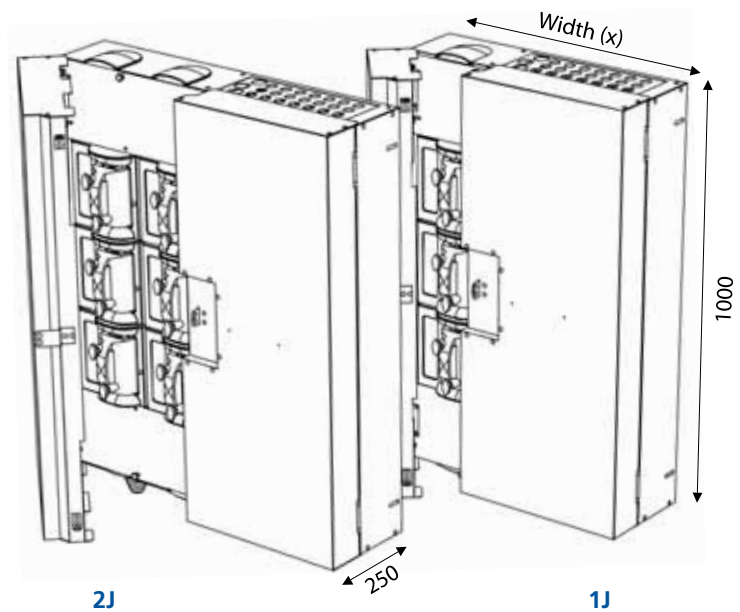


Features & Benefits (continued)

- Incoming cable access right or left hand, top or bottom.
- J Type Fuse Ways supplied complete with range taking shear-off mechanical connectors suitable for aluminium or copper conductors up to 300mm².
- Outgoing IIB SP fused service ways up to 100A.
- Will accept solid aluminium or stranded copper Concentric, Split Concentric or Single Wire Armoured Service Cables up to 35mm².
- Staggered fused service ways to provide ease of cabling.
- Suitable for rising main application.

Options

- Second J Type TP fuse way for outgoing supplies greater than 100A.
- Single Wire Armoured Glanding Kit.
- Temporary Insulation Shrouds for J Type fuse way.



	Width (x)	Weight
15 way 1J	503mm	44kg
15 way 2J	710mm	58kg
24 way 1J	642mm	53kg
24 way 2J	849mm	69kg
30 way 1J	735mm	60kg
30 way 2J	942mm	76kg
45 way 1J	967mm	74kg

Our complete range of Low Voltage Cut-outs include:



Pole Mounted Cut-Outs



ABC Box



Heavy Duty Cut-outs



MSDB



House Service Cut-outs



Accessories

For more information please contact us

Lucy Switchgear

Howland Road, Thame, Oxfordshire, OX9 3UJ, UK

tel: +44 (0)1844 267267 fax: +44 (0)1844 267223

email: sales@lucyswitchgear.com

Lucy Middle East

PO Box 17335, Jebel Ali, Dubai, United Arab Emirates

tel: +9714 812 9999 fax: +9714 812 9900

email: sales@lucyme.ae

The Saudi Lucy Company Ltd

PO Box 834, Al-Khobar, 31952, Saudi Arabia

tel: +966 3 8823057 fax: +966 3 8822553

email: info@saudilucy.com

